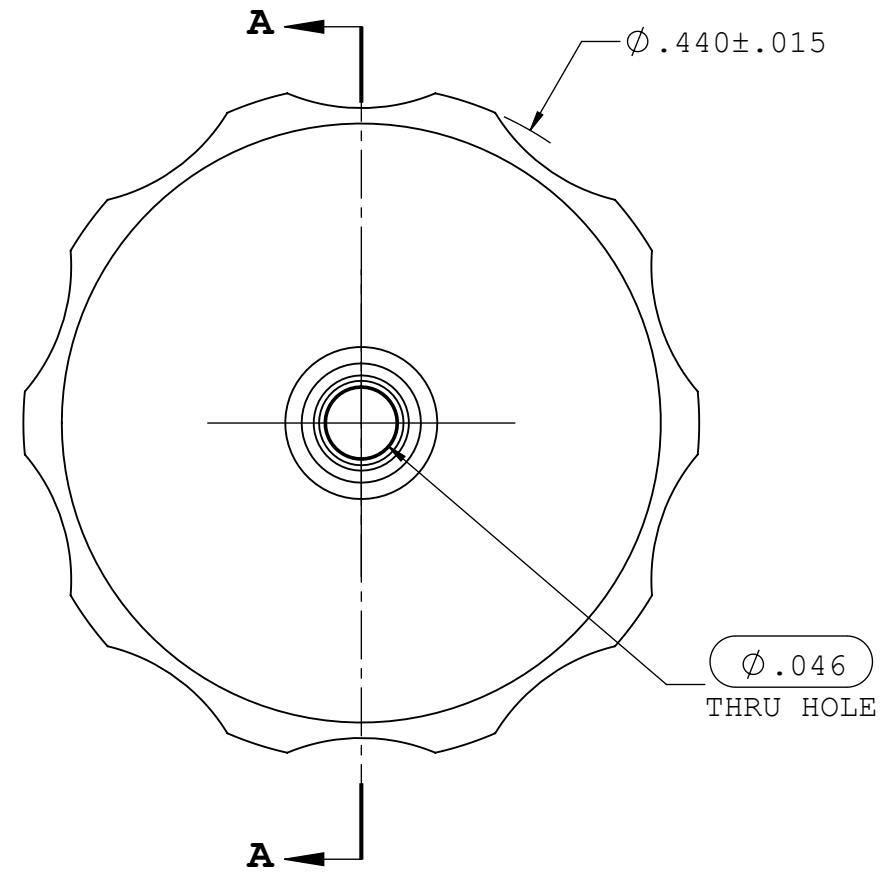
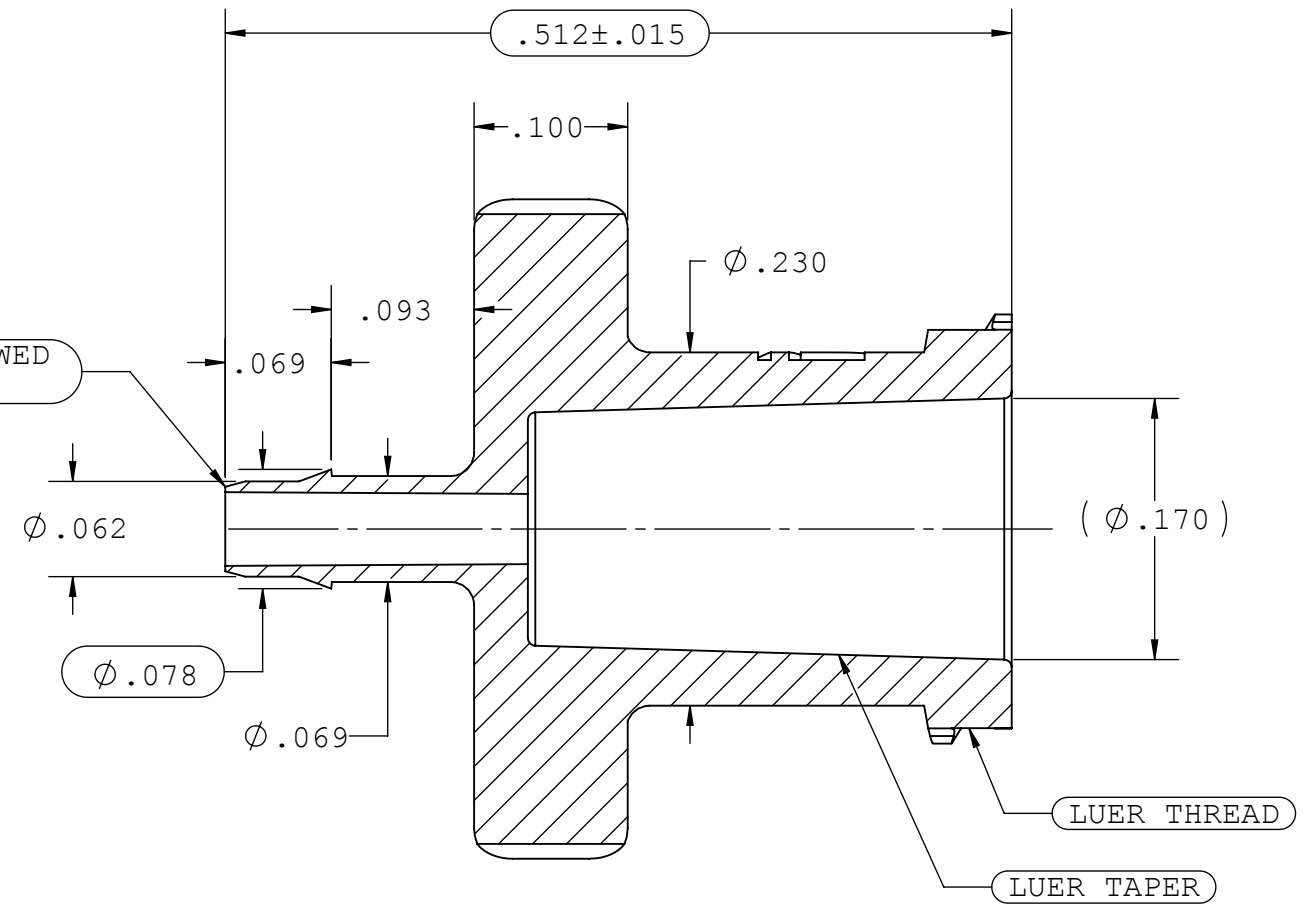


NOTES: FOR ADDITIONAL DETAILS, PLEASE CONTACT VP NEW PRODUCT DEVELOPMENT
 DIMENSIONS MARKED ARE CONTROL DIMENSIONS

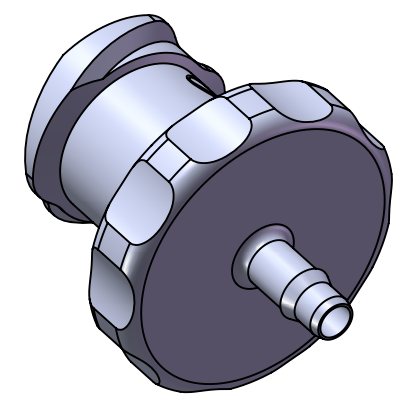
REVISIONS			
REV.	DESCRIPTION	DATE	APPROVED
A	INITIAL RELEASE	12-18-18	FJL



0.010" MAX FLASH ALLOWED
 BARB TIP LOCATION



SECTION A-A

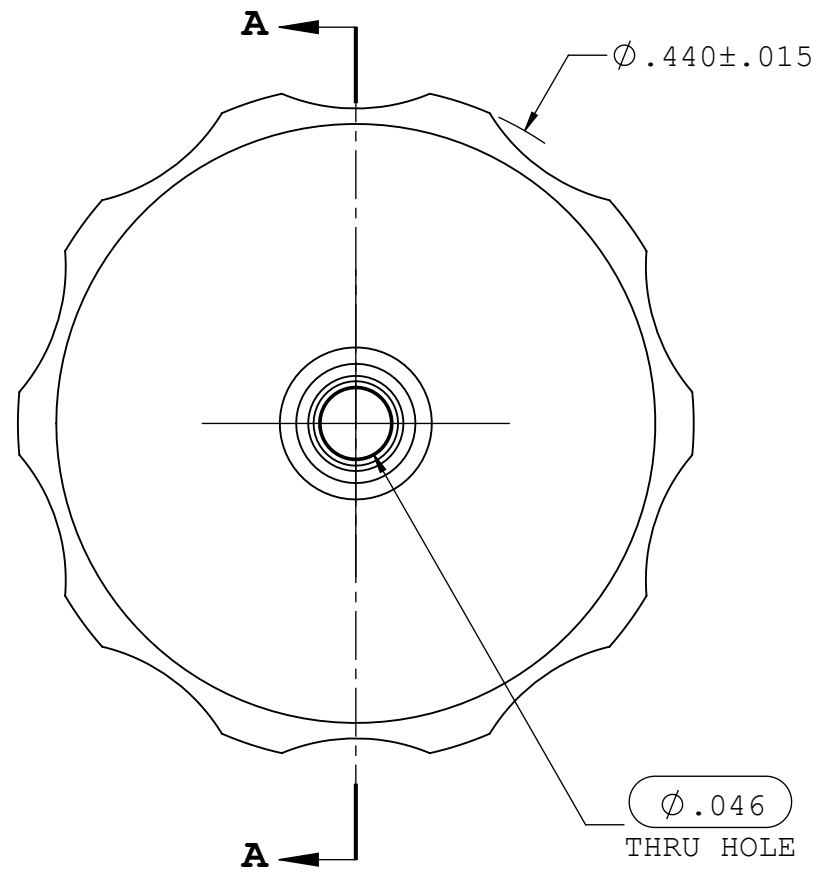


Dimension	Material Specific Tolerances							
	Acetal	Nylon	PP	ABS	PC	PVC	Polysulfone	Kynar
A								
B								
C								
D								
E								
F								

UNLESS OTHERWISE SPECIFIED DIMENSIONS ARE IN INCHES TOLERANCES ARE:		VALUE PLASTICS, INC			
FRACTIONS ±	DECIMAL .XX ±.01 .XXX ±.005 .XXXX ±.001	ANGULAR ± 1°	PART NUMBER: CF1076		
DO NOT SCALE DRAWING			DESCRIPTION: Female Luer Thread Style to 200 Series Barb, 1/16" (1.6 mm) ID Tubing		
DRAWN BY: Frank.Lombardi	DATE: 12/20/2018	SIZE: B	SCALE: NTS	VER: 	DWG. NO. 1073920
MANAGER: Doug Kimmel		© 2011 VALUE PLASTICS, INC			REV A
				SHEET: 1 OF 1	

NOTES: FOR ADDITIONAL DETAILS, PLEASE CONTACT VP CUSTOMER SERVICE
 DIMENSIONS MARKED ϕ ARE CONTROL DIMENSIONS

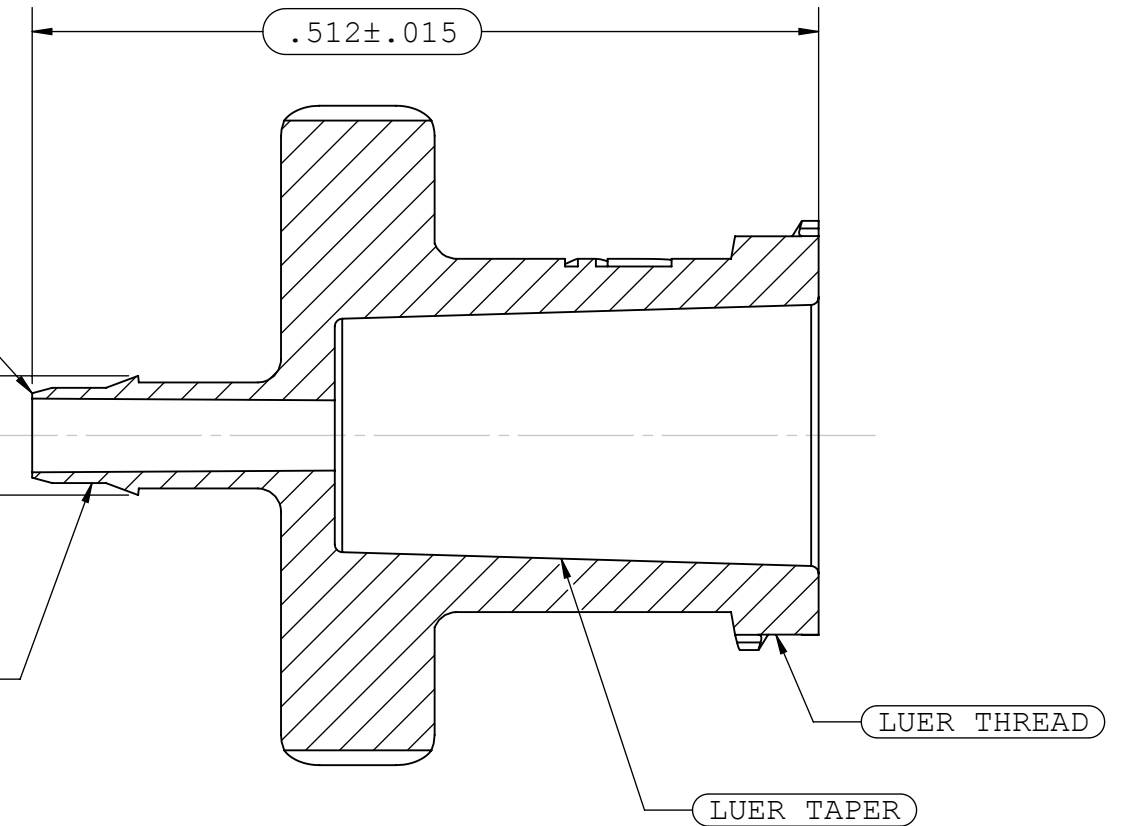
REVISIONS			
REV.	DESCRIPTION	DATE	APPROVED
A	INITIAL RELEASE	12-18-18	FJL



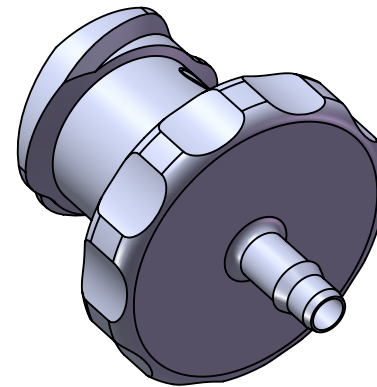
0.010" MAX FLASH ALLOWED
 BARB TIP LOCATION

$\phi .078$

INSTRUMENT QUALITY PART.
 NO PARTING LINE PERMITTED
 ON THIS CONICAL SURFACE.



SECTION A-A



Prepared For: Flextronics		Attention:
Signature	Title	Date
Signature Indicates Design Approval		
Send Approved Document Via Fax: 970-267-3578		
For Technical Questions Contact: Sales@valueplastics.com or 970-267-5200		

UNLESS OTHERWISE SPECIFIED DIMENSIONS ARE IN INCHES TOLERANCES ARE:		VALUE PLASTICS, INC			
FRACTIONS DECIMAL ANGULAR \pm .XX \pm .01 \pm 1° \pm .XXX \pm .005 \pm .XXXX \pm .001		PART NUMBER: CF1076			
DO NOT SCALE DRAWING		DESCRIPTION: Female Luer Thread Style to 200 Series Barb, 1/16" (1.6 mm) ID Tubing			
DRAWN BY: Frank.Lombardi	DATE: 12/20/2018	SIZE: B	SCALE: NTS	VER: 	DWG. NO. 1073920
MANAGER: Doug Kimmel		© 2011 VALUE PLASTICS, INC			REV A
				SHEET: 1 OF 1	

FOR REFERENCE ONLY